

Series and Parallel Circuit Problems

Name _____

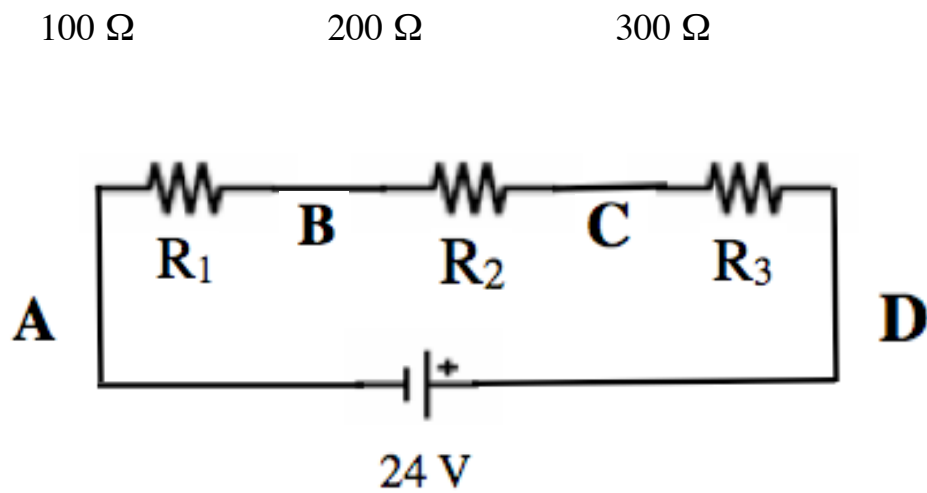
Period _____

Date _____

1. Series Circuit

Solve for:

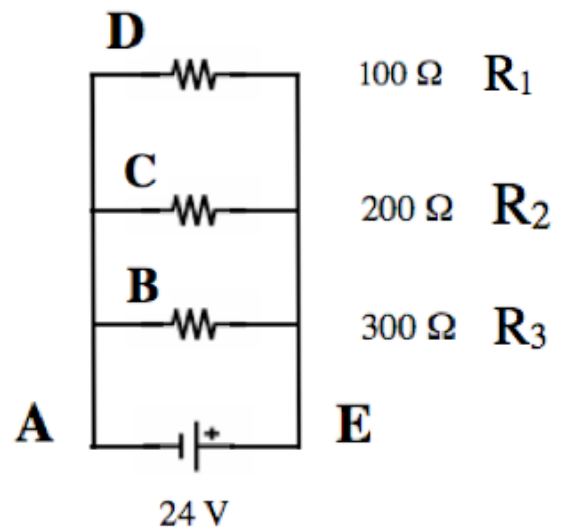
1. Current in the circuit at each letter (A, B, C, D)
2. Equivalent resistance
3. Voltage over each resistor



2. Parallel Circuit

Solve for:

1. Current in the circuit at each letter (A, B, C, D, E)
2. Equivalent resistance
3. Voltage over each resistor



3. How is your house wired, in series or parallel? Explain why in a way that your younger brother or sister could understand.